

# AREP/2232 Telecommunication Facility Applications

# Wireless Infrastructure in Fairfax Today

- DPZ reviews four types of telecom applications.
- During the 2018 session, the Virginia Legislature passed a law creating the Administrative Review-Eligible Project (AREP) process.
- 4G wireless infrastructure deployed over last decade.
- Mobile carriers planning to implement 5G coverage in the area.
- AREP projects will be exceedingly common in 5G rollout.



[This Photo](#) by Unknown Author is licensed under [CC BY-SA](#)

# 5G Deployment

- Driven by rapidly increasing mobile data usage, and the proliferation of connected devices (IoT).
- Characteristics: increased bandwidth, lower latency, shorter signal range
- Shorter signal ranges requires denser networks of small cell antennas.

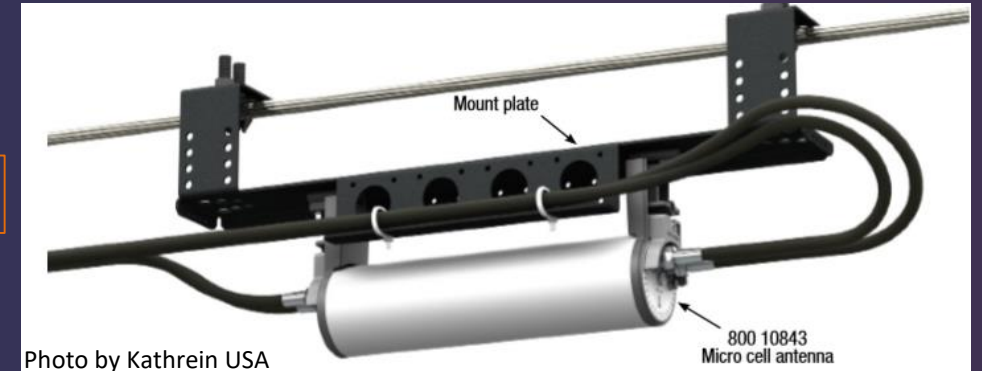


# Hierarchy of Telecommunications Facilities

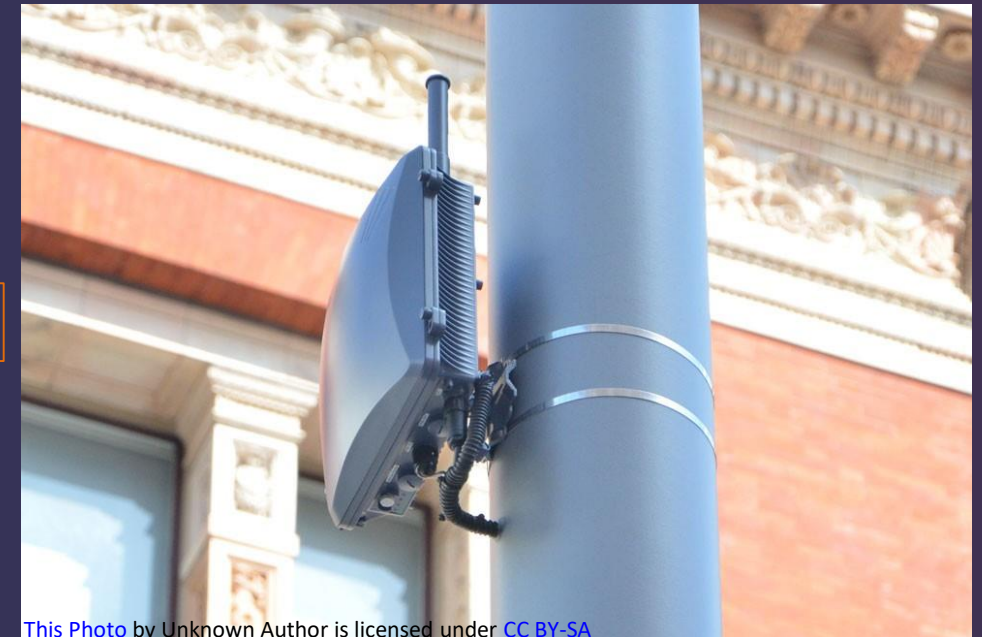
Macro-cell



Micro-cell



Small-cell



# Telecom Facility Permitting in Fairfax County Today

- **Standard Process/2232**: A catch-all for telecom facilities that the reviews below do not apply to. Often used for construction of new monopoles. Typically requires a special exception.
- **6409**: For the modification, removal, and co-location of equipment that does not substantially change an existing telecom facility.
- **Small Cell**: Used for permitting installation of antennas less than 6 ft<sup>3</sup> in volume and equipment cabinets less than 28 ft<sup>3</sup> in volume.
- **AREP/2232**: Co-location of telecom facilities on existing structures and for new structures in the public ROW or within the line of existing utility poles











# Proposed Resolution

## RESOLUTION

At a regular meeting of the Planning Commission of Fairfax County, Virginia, held in the Board Auditorium in the Government Center Building, Fairfax, Virginia, on January \_\_, 2019 at which meeting a quorum was present and the following resolution was adopted:

WHEREAS, the 2018 Virginia General Assembly amended the Virginia Code to identify and regulate Administrative Review-Eligible Projects (AREPs) as a new category of wireless telecommunications facilities; and

WHEREAS, the General Assembly prohibited localities from requiring any special exception, special use permit, or variance for the installation of AREPs, but it did not amend Virginia Code § 15.2-2232 to preclude planning commission approval; and

WHEREAS, a Consent Agenda is an administrative tool that allows bodies such as the Fairfax County Planning Commission to consider and approve routine or noncontroversial matters more efficiently; and

WHEREAS, the Commission regularly considers routine and noncontroversial administrative matters as part of its work; and

WHEREAS, the Commission anticipates that it will be considering a large number of routine and noncontroversial AREP applications pursuant to Virginia Code Section 15.2-2232, and

WHEREAS, a Consent Agenda will allow the Commission to approve AREPs in gross without debate and amendment; and

WHEREAS, a Consent Agenda will also allow the Commission to approve other routine and noncontroversial administrative matters without debate and amendment; and

WHEREAS, items on the Consent Agenda will be provided to members of the Commission in writing not less than \_\_ days before the Commission meetings; and

WHEREAS, items on the Consent Agenda may be removed by objection from any member of this Commission for separate consideration and debate; and

WHEREAS, items not removed from the Consent Agenda may be adopted by general consent without debate; and

WHEREAS, the Consent Agenda will be considered at Commission meetings before regular Commission business;

WHEREAS, the Consent Agenda, as a practice, may be suspended by a vote of two-thirds of the members of the Commission present and voting;

NOW THEREFORE BE IT

RESOLVED, for the foregoing reasons, that the Commission will use a Consent Agenda to approve routine and noncontroversial administrative matters by general consent, without debate or amendment; and

RESOLVED, that the Commission will use a Consent Agenda to approve routine and noncontroversial AREP applications by general consent, without debate or amendment; and

RESOLVED, that any matter on the Consent Agenda that is objected to by a member of the Commission will be removed from the Consent Agenda and considered as part of the regular agenda; and

RESOLVED, that the Consent Agenda, as a practice, may be suspended by a vote of two-thirds of the members of the Commission present and voting.

A Copy Teste:



# AREP Telecommunication Facility Applications